

# Nadorsel<sup>®</sup> Swimming pool



## Single-stage centrifugal pump for water stream

### Applications

Jet-stream in swimming pools.  
Generate a strong stream of water and transform swimming pools into places for sport and leisure.  
Self-priming up to 4m.

### Materials

Pump body, impeller, seal mounting, diffuser and discharge in technopolymer.  
Suction in reinforced rubber.  
Pump shaft in AISI 431.  
Mechanical seal.  
Motor casing and support in aluminium.  
O-rings in NBR.

### Equipment

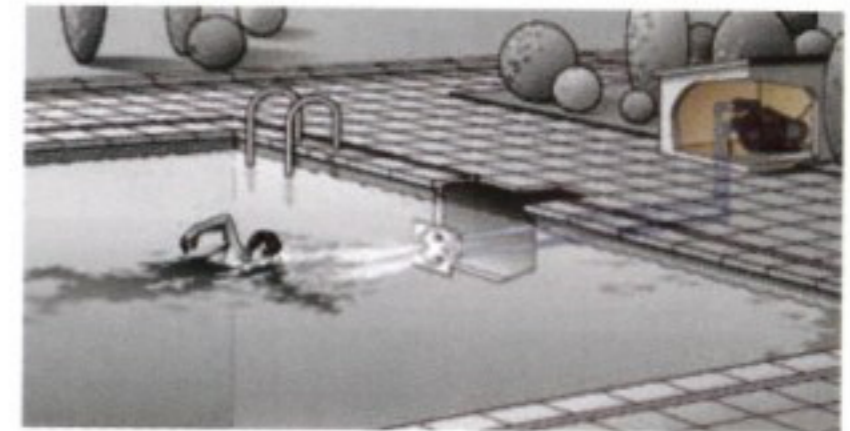
Connection box V0 (self-extinguishing flame).  
P2 capacitor (10.000h).  
No cable, no plug.

### Motor

Asynchronous, 2 poles.  
IP 44 protection.  
Class F insulation.  
1~: Thermal protection included.  
Continuous operation.

### Limitations

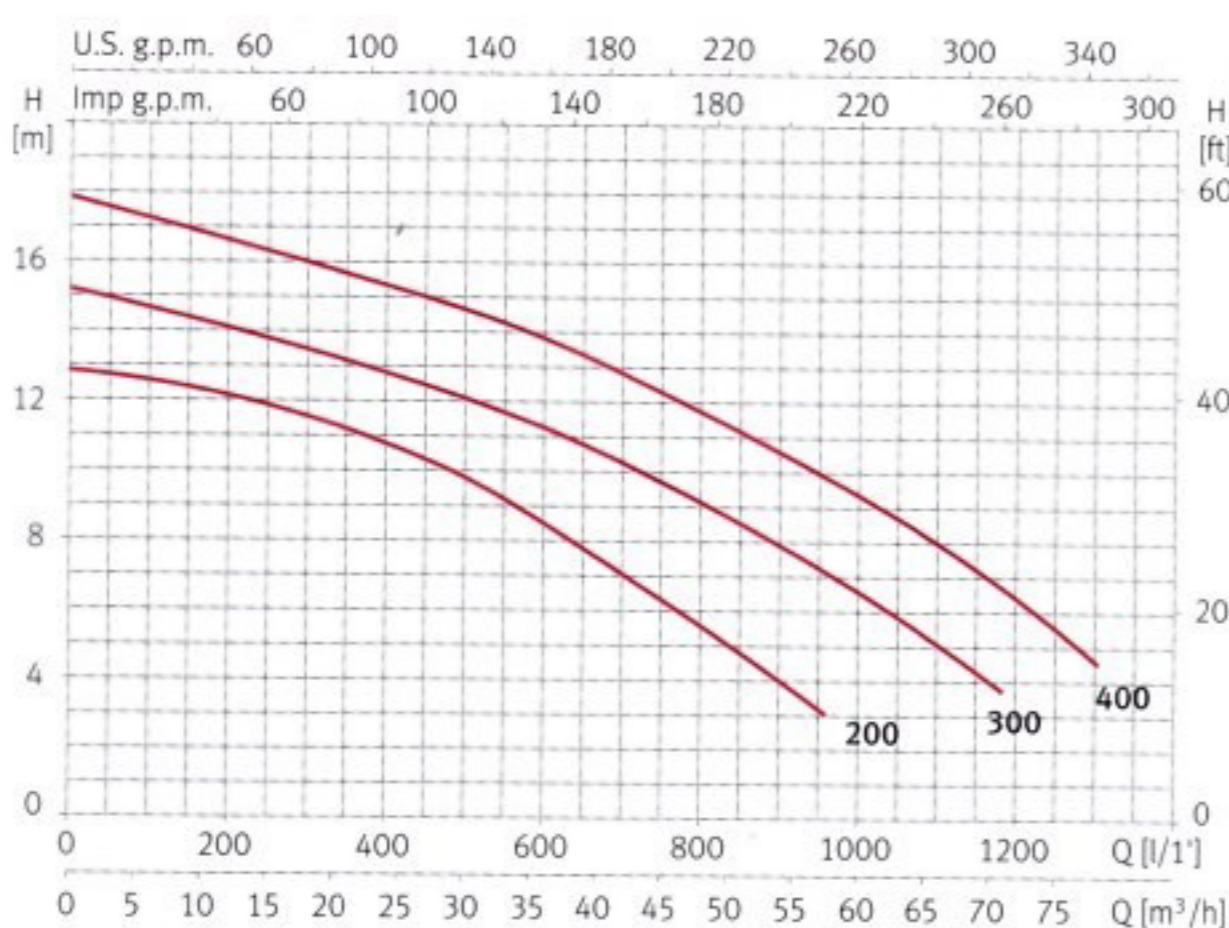
Maximum water temperature: 40° C.



### Hydraulic performance table

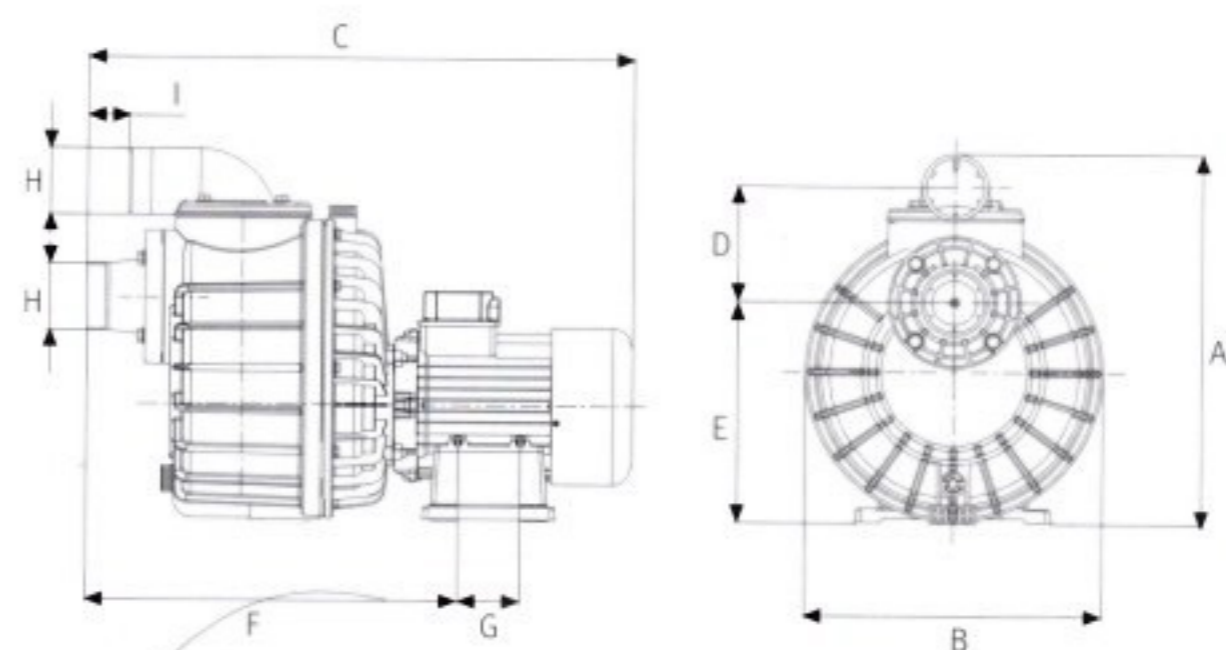
Model	I [A]			P1 [kW]		P2		c	l/min	100	200	400	600	800	1000	1200	1300	Code	
	1~ 230V	3~ 230V	3~ 400V	1~	3~	[kW]	[HP]											[μF]	m³/h
Nadorsel 200	10,2	6,7	4	2,2	2,2	1,5	2	40	mwc	12,9	12,2	10,6	8,5	6	-	-	-	203165	203167
Nadorsel 300	13,4	8,6	5	3	3	2,3	3	60		14,6	14	12,8	11,3	9	6,5	-	-	203166	203168
Nadorsel 400	-	11,8	6	-	3,4	3	4	-		17,2	16,6	15,3	13,8	11,6	9,4	6,3	4,5	-	203169

### Performance curves at 2900 rpm



### Dimensions and weights

Model	A	B	C	D	E	F	G	H	I	Kg
Nadorsel 200	416	335	615	130	249	418,5	70	2 <sup>1/2</sup> "	46,5	25,1/23,1
Nadorsel 300	416	335	615	130	249	418,5	70	2 <sup>1/2</sup> "	46,5	26,1/25,8
Nadorsel 400	416	335	615	130	249	418,5	70	2 <sup>1/2</sup> "	46,5	28



\*Espa 2025 SL guarantees all its products against production defects for 2 years from the invoice date of the product. Warranty would not be considered if the product is damaged due external causes such as installation, misuse, poor maintenance, input supply outside of the operating range, damage due weather conditions or operation outside of predetermined conditions, components ordinary wear under normal operating conditions and damage caused by external agents.