

Silen S2 Swimming pool



Single-stage centrifugal pump for water recirculation and filtering

Applications

Recirculation and filtering of water of large swimming pools.
Very quiet-running (LWA 80dB).
Self-priming up to 4m.

Materials

Pump body, foot, impeller, seal mounting, diffuser, suction and discharge in technopolymer.
Pump shaft in AISI 431.
ESPA mechanical seal.
Motor casing in aluminium.
O-rings in NBR.

Equipment

Connection box V0 (self-extinguishing flame).
P2 capacitor (10.000h).
No cable, no plug.
Metric unions included (63mm).

Motor

Asynchronous, 2 poles.
IP 55 protection.
Class F insulation.
1~: Thermal protection included.
Continuous operation.

Limitations

Maximum water temperature: 40° C.



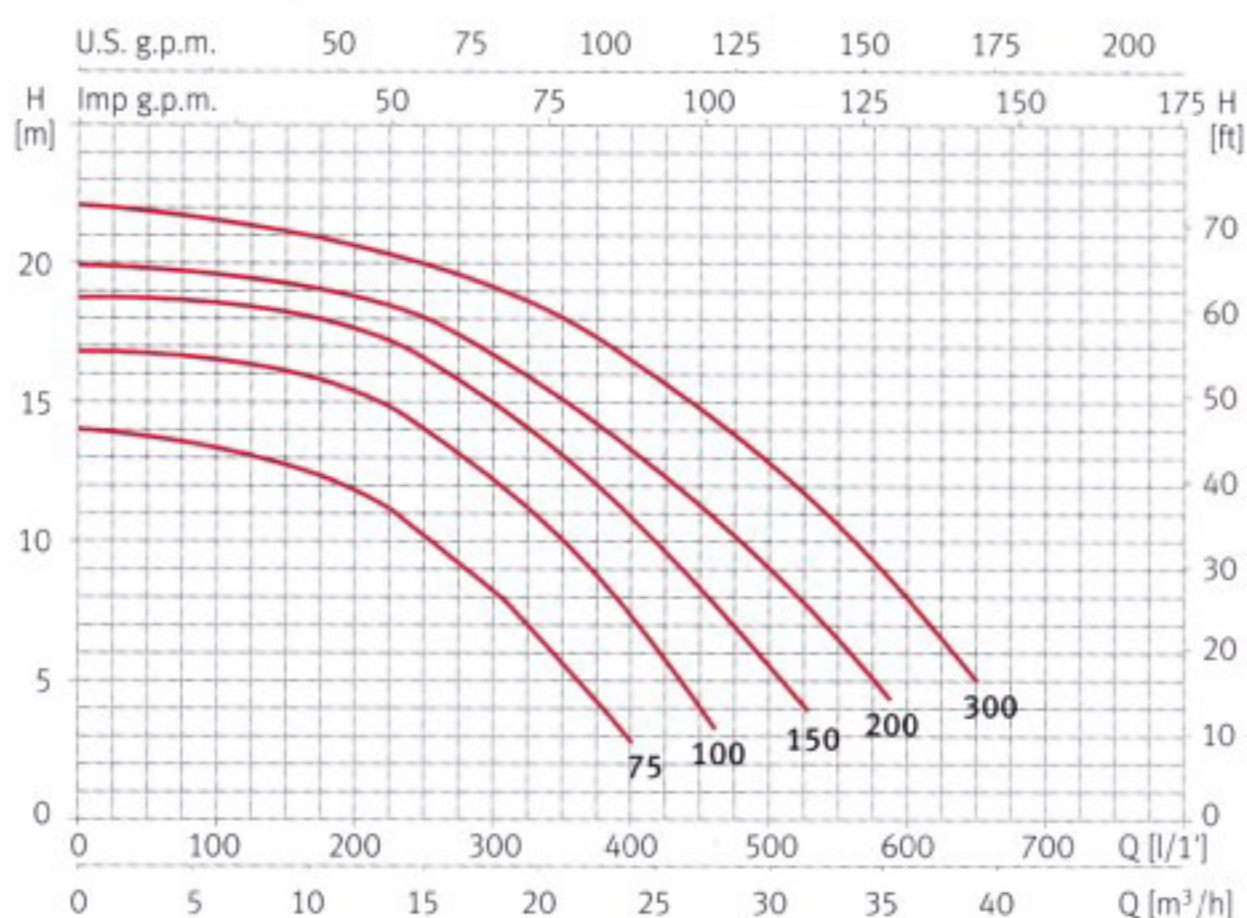
Request for imperial unions (2")

Hydraulic performance table

Model	I [A]			P1 [kW]		P2		c [μF]	*Pool volume [m³]	l/min	100	150	250	350	450	500	550	650	Code	
	1~ 230V	3~ 230V	3~ 400V	1~	3~	[kW]	[HP]				m³/h	6,0	9,0	15	21	27	30	33	39	1~230V
Silen S2 75	4,5	3,8	2,2	1,0	1,0	0,55	0,75	25	110	mwc	13,2	12,8	10	5,5	-	-	-	-	203155	203160
Silen S2 100	7	4,8	2,8	1,5	1,6	0,92	1,25	25	150		16,5	16	14,2	10	4	-	-	-	203156	203161
Silen S2 150	8,5	5,3	3,1	1,9	1,9	1,1	1,5	25	180		18,5	18,2	16,5	13	8,2	5,5	-	-	203157	203162
Silen S2 200	9,7	6,5	3,8	2,2	2,2	1,5	2,0	30	200		19,5	19,1	18	15	11,1	9	6,3	-	203158	203163
Silen S2 300	12,5	8,6	5	2,8	2,6	2,2	3,0	60	240		21,5	21	19,9	18	14,9	12,9	10,3	5	203159	203164

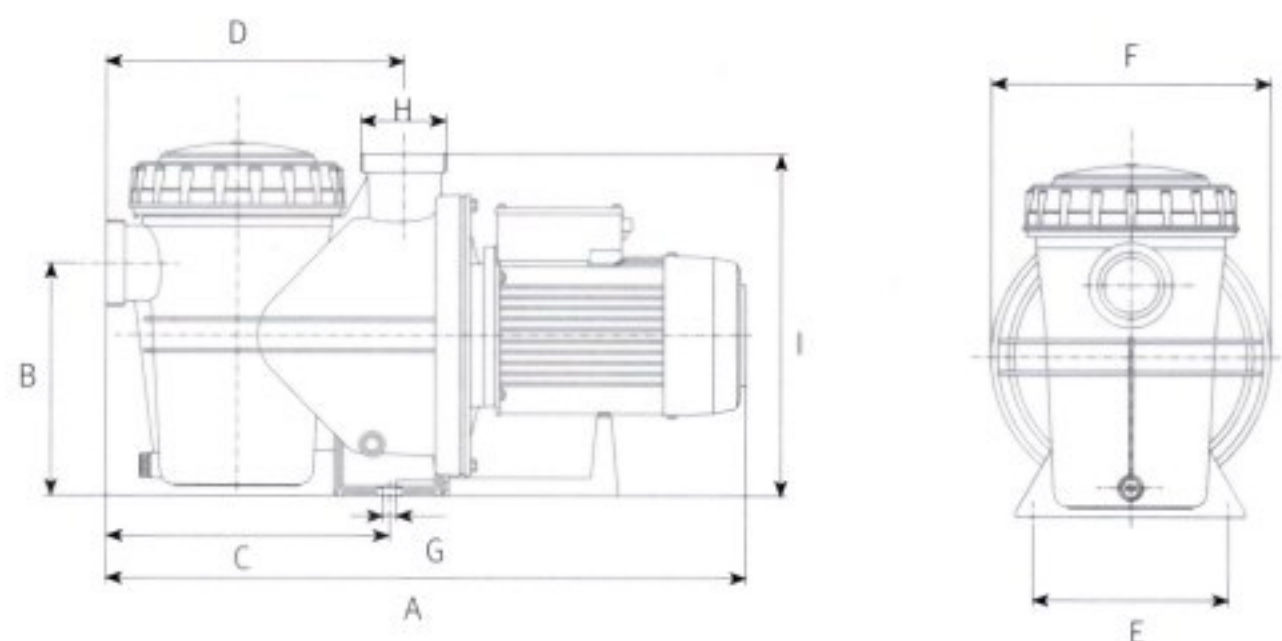
*Considering water circulation of 8 h/day

Performance curves at 2900 rpm



Dimensions and weights

Model	A	B	C	D	E	F	G	H	I	Kg
Silen S2 75	624	222	272	285	188	268	Ø13	2 3/4"	326,5	14
Silen S2 100	624	222	272	285	188	268	Ø13	2 3/4"	326,5	15
Silen S2 150	624	222	272	285	188	268	Ø13	2 3/4"	326,5	18
Silen S2 200	624	222	272	285	188	268	Ø13	2 3/4"	326,5	21
Silen S2 300	624	222	272	285	188	268	Ø13	2 3/4"	326,5	23



*Espa 2025 SL guarantees all its products against production defects for 2 years from the invoice date of the product. Warranty would not be considered if the product is damaged due external causes such as installation, misuse, poor maintenance, input supply outside of the operating range, damage due weather conditions or operation outside of predetermined conditions, components ordinary wear under normal operating conditions and damage caused by external agents.