

Silen I Swimming pool



Single-stage centrifugal pump for water recirculation and filtering

Applications

Recirculation and filtering of water of small swimming pools.
Very quiet-running (LWA 70dB).
Self-priming up to 4m.

Motor

Asynchronous, 2 poles.
IP 55 protection.
Class F insulation.
Thermal protection included.
Continuous operation.

Materials

Pump body, foot, impeller, seal mounting, diffuser, suction and discharge in technopolymer.
Pump shaft in AISI 431.
ESPA mechanical seal.
Motor casing in aluminium.
O-rings in NBR.

Limitations

Maximum water temperature: 40° C.

Equipment

Connection box V0 (self-extinguishing flame).
P2 capacitor (10.000h).
No cable, no plug.
Metric unions included (50mm).



Request for imperial unions (1 1/2")

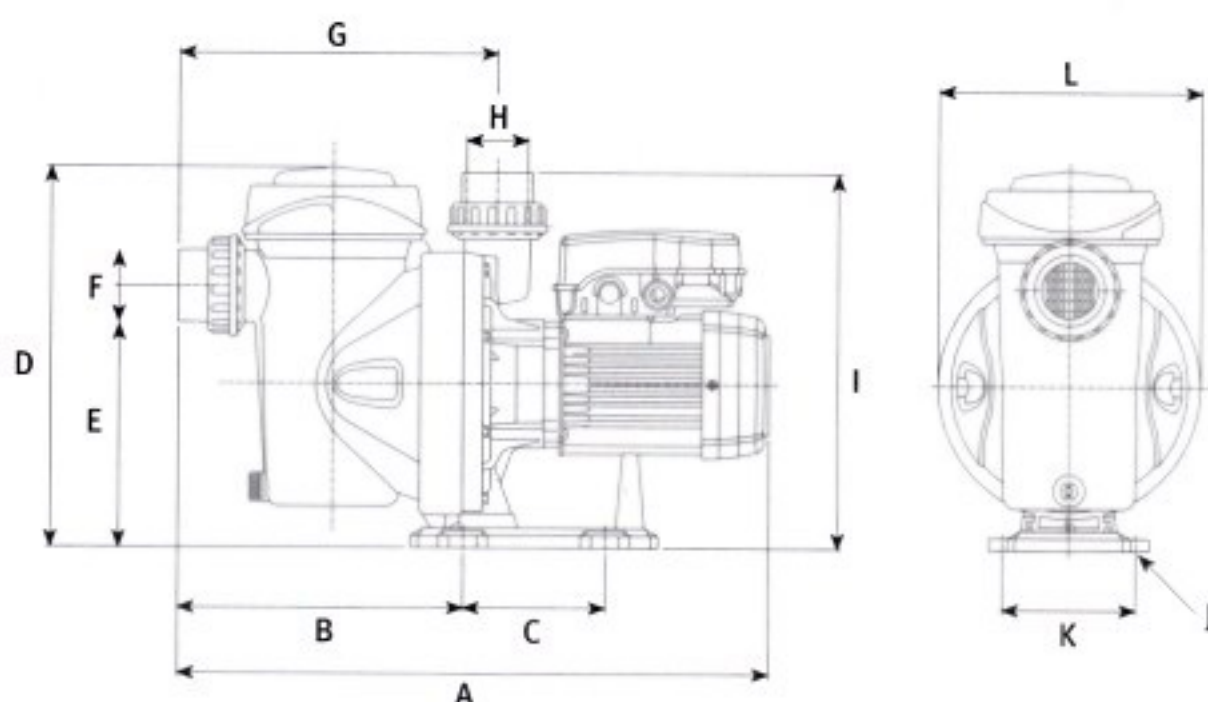
Hydraulic performance table

Model	I [A]	P1 [kW]	P2		c [µF]	*Pool volume [m³]	l/min m³/h	25	50	75	100	150	200	250	290	Code
	1~230V	1~	[kW]	[HP]				1,5	3,0	4,5	6,0	9,0	12	15	17,4	
Silen I 33	2	0,45	0,25	0,33	12	65	mwc	10,2	9,7	8,6	7,2	3,2	-	-	-	203144
Silen I 50	2,8	0,65	0,37	0,5	12	75		12,3	11,9	11,3	10,5	8,1	4,6	-	-	203145
Silen I 100	3,8	0,85	0,75	1	12	85		13,8	13,3	13	12,5	10,8	8,1	4,8	1,8	203146

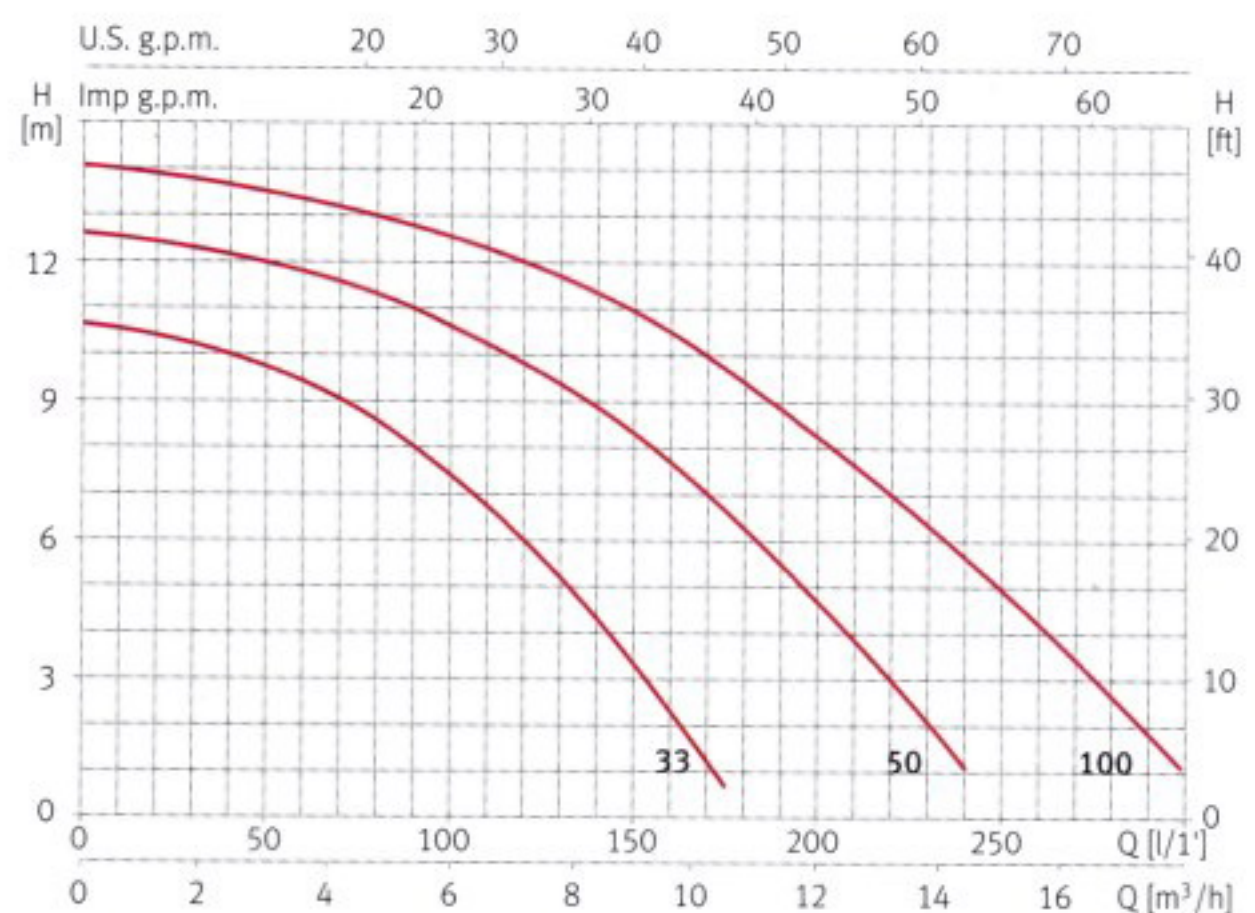
*Considering water circulation of 8 h/day

Dimensions and weights

Model	A	B	C	D	E	F	G	H	I	J	K	L	Kg
Silen I 33	439	192	115	304	210	2 1/4"	221	2 1/4"	264	Ø9	108	Ø212	8,9
Silen I 50	439	192	115	304	210	2 1/4"	221	2 1/4"	264	Ø9	108	Ø212	10,2
Silen I 100	439	192	115	304	210	2 1/4"	221	2 1/4"	264	Ø9	108	Ø212	10,9



Performance curves at 2900 rpm



*Espa 2025 SL guarantees all its products against production defects for 2 years from the invoice date of the product. Warranty would not be considered if the product is damaged due external causes such as installation, misuse, poor maintenance, input supply outside of the operating range, damage due weather conditions or operation outside of predetermined conditions, components ordinary wear under normal operating conditions and damage caused by external agents.