

FIBERGLASS SAND FILTERS

Emaux Sand Filters has been using the latest pool filter technology which is suitable for many different weather conditions and have reached many different market standards. The filters are durable, corrosion-proof, UV-resistant and they are user friendly. The sand filters are applicable for use in all types of pools, such as In-ground Pools, in-ground spas as well as other water features (fish ponds, fountains, water gardens and so on).



EMAUX
Pool and Spa Systems.



FIBERGLASS SAND FILTERS



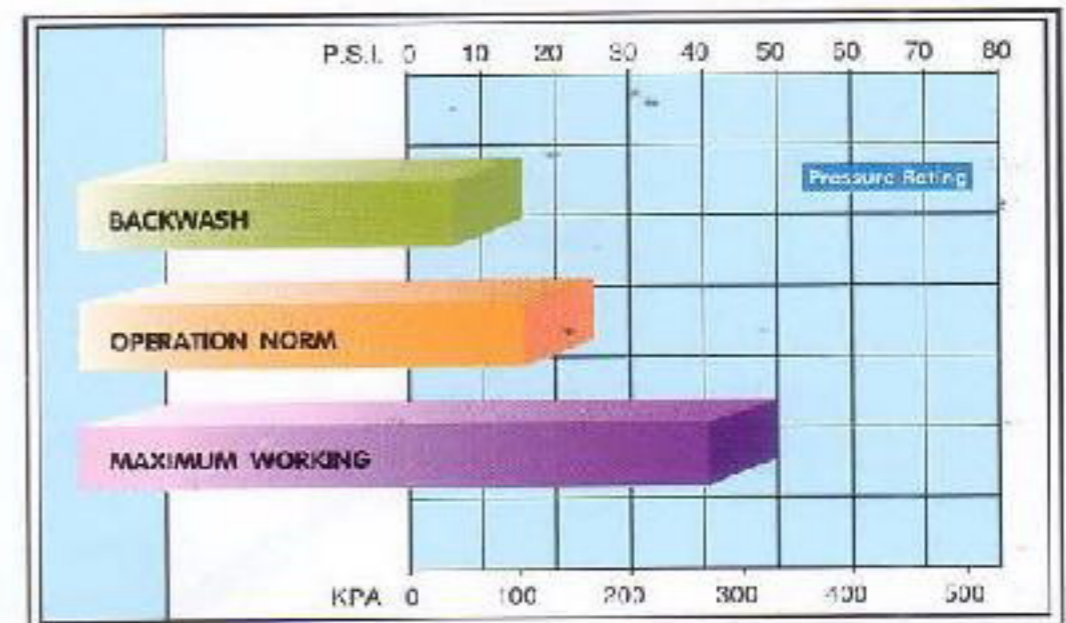
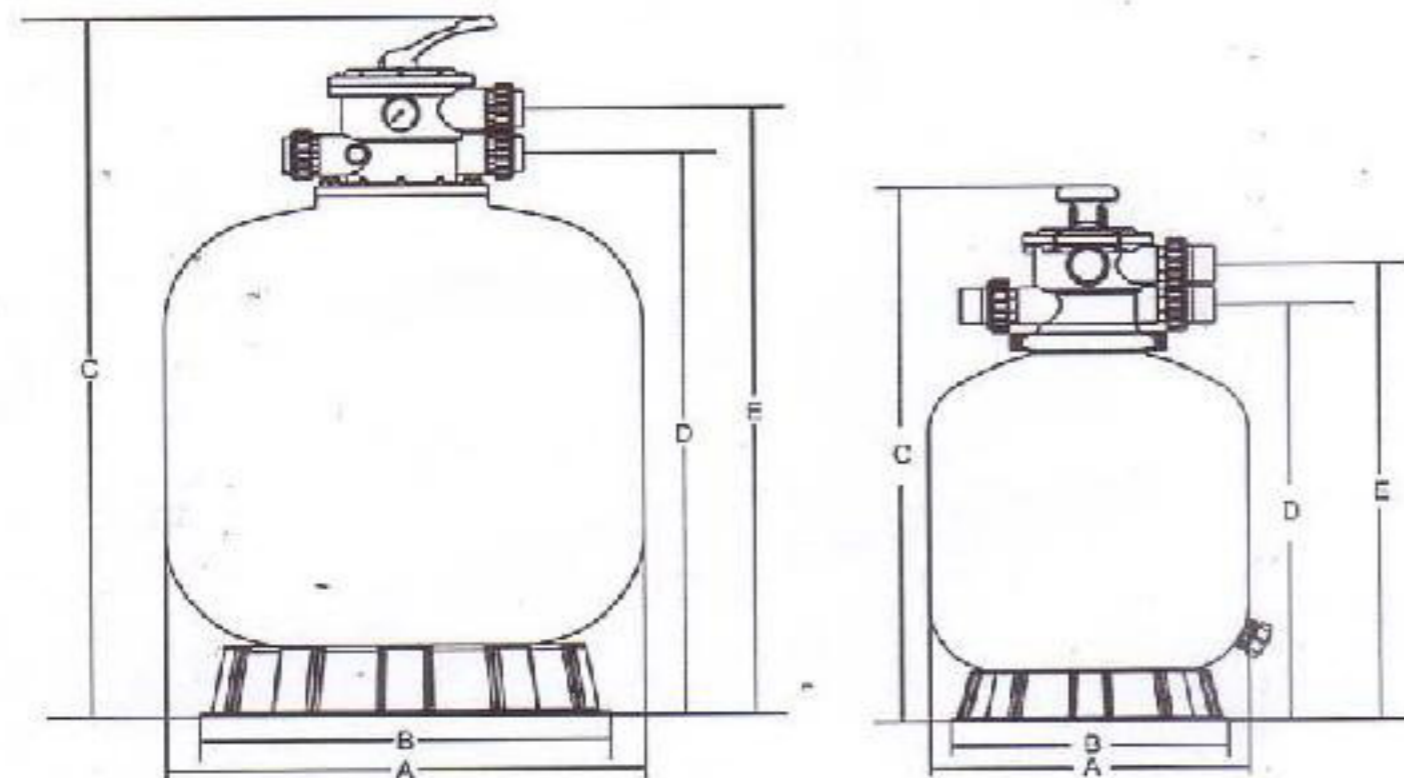
TOP MOUNT FILTER-V SERIES



FEATURES

- Clamp Lock is designed to allow 360 degree rotation to simplify installation
- Top diffuser ensures even distribution of water over the sand bed
- Large pressure sand / water drain for rapid winterizing or servicing
- Materials used are dependable and are suitable for all – weather performance
- Easy – to – use Multiport Valve lets you select any of the valve / filter operation with a simple lever – action
- UV – resistance surface allows the filter to work under direct sunlight

Maximum Working Pressure:	250 kPa (36psi)
Factory Testing Pressure:	400 kPa (58psi)
Maximum Water Temperature:	43 °C (109 °F)
Maximum Filtration Velocity:	50 m ³ /h /m ²



TECHNICAL CHARACTERISTICS

Code	Model No	A mm	B mm	C mm	D mm	E mm	Filter Area (m ²)	Valve Connections	Max Flow Rate	Sand (kg)
88010101	V350	335	298	726	550	619	0.09	1½ inch 50mm	72lpm 4.32m ³ / h	20
88010102	V400	410	390	757	590	640	0.13	1½ inch 50mm	108lpm 6.48m ³ / h	35
88010103	V450	455	390	814	638	698	0.16	1½ inch 50mm	135lpm 8.10m ³ / h	45
88010104	V500	535	500	845	670	730	0.22	1½ inch 50mm	185lpm 11.10m ³ / h	85
88010105	V650	635	500	950	775	835	0.32	1½ inch 50mm	260lpm 15.60m ³ / h	145
88010107	V700	710	500	1020	845	905	0.40	1½ inch 50mm	325lpm 19.50m ³ / h	210
88010609	V800	800	753	1200	1002	1085	0.50	2inch 63mm	415lpm 24.90m ³ / h	250
88010610	V900	900	753	1300	1090	1172	0.64	2inch 63mm	520lpm 31.20m ³ / h	350
88010611	V1000	1000	810	1400	1260	1340	0.79	2inch 63mm	650lpm 39.00m ³ / h	900
88010613	V1200	1200	995	1600	1468	1550	1.13	2inch 63mm	860lpm 51.60m ³ / h	1150

Caution: Filter is not to be used when there is back pressure

FIBERGLASS SAND FILTERS

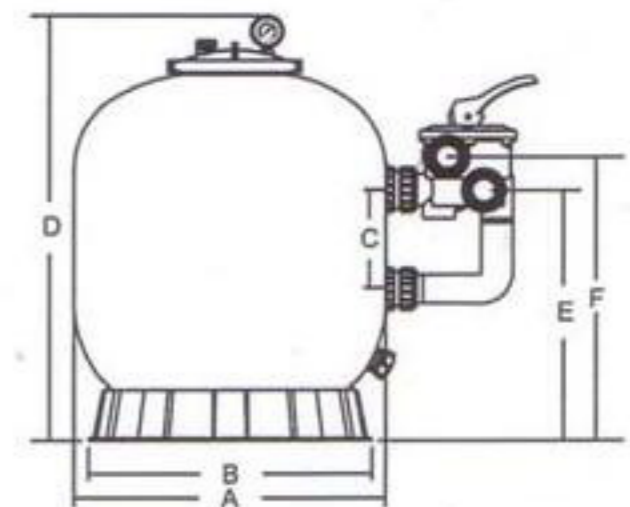
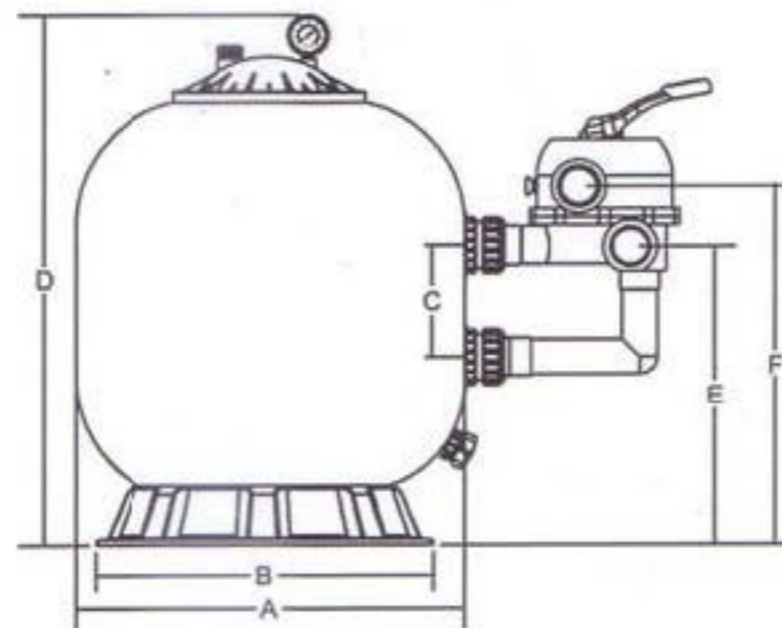
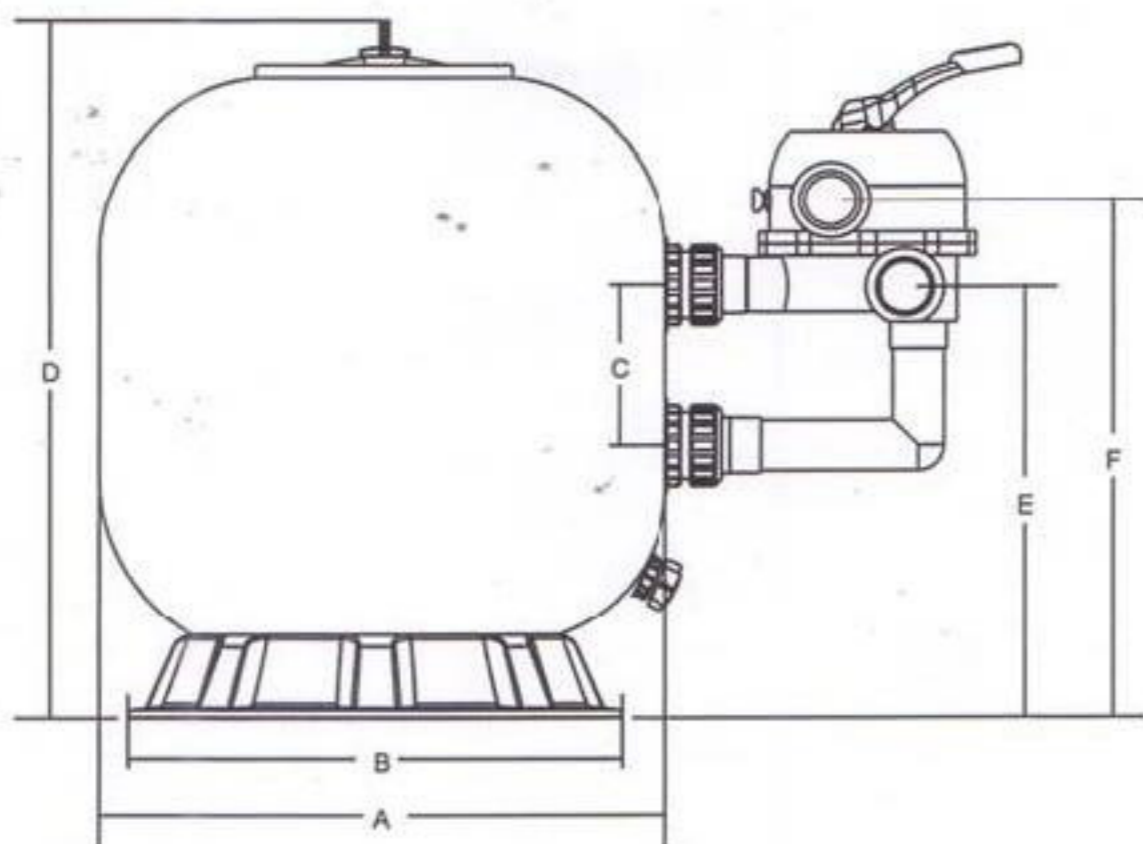
SIDE MOUNT FILTER-S SERIES



FEATURES

- Transparent Lid cover allows easy inspection of the sand bed (Applicable on S450 - S700)
- Top diffuser ensures even distribution of water over the top of the sand bed
- Air Relief Bolt enables easy release of trapped air during operation of the filter
- Materials used are dependable and are suitable for all-weather performance
- Large pressure sand / water drain for rapid winterizing or servicing
- Easy-to-use Multiport Valve lets you select any of the valve / filter operation with a simple lever-action
- UV-resistance surface allows the filter to work under direct sunlight

Maximum Working Pressure:	250 kPa (36psi)
Factory Testing Pressure:	400 kPa (58psi)
Maximum Water Temperature:	43 °C (109 °F)
Maximum Filtration Velocity:	50 m ³ /h /m ²



TECHNICAL CHARACTERISTICS

Code	Model No	A mm	B mm	C mm	D mm	E mm	F mm	Filter Area (m ²)	Valve Connections	Max Flow Rate	Sand (kg)
88010903	S450	455	390	180	730	440	500	0.16	1½ inch 50mm	135lpm 8.10m ³ / h	45
88010904	S500	535	500	180	770	460	520	0.22	1½ inch 50mm	185lpm 11.10m ³ / h	85
88010905	S650	635	500	180	850	510	570	0.32	1½ inch 50mm	260lpm 15.60m ³ / h	145
88010907	S700	710	500	180	960	510	570	0.40	1½ inch 50mm	325lpm 19.50m ³ / h	210
88011209	S800	820	753	220	1050	560	620	0.53	2inch 63mm	435lpm 26.10m ³ / h	250
88011210	S900	920	753	220	1180	610	670	0.66	2inch 63mm	550lpm 33.00m ³ / h	350
88011311	S1000	1020	800	220	1220	700	770	0.82	2inch 63mm	670lpm 40.20m ³ / h	900
88011313	S1200	1220	995	220	1410	945	1005	1.17	2inch 63mm	880lpm 52.80m ³ / h	1150

Caution: Filter is not to be used when there is back pressure

FIBERGLASS SAND FILTERS



COMMERCIAL FILTER-L SERIES

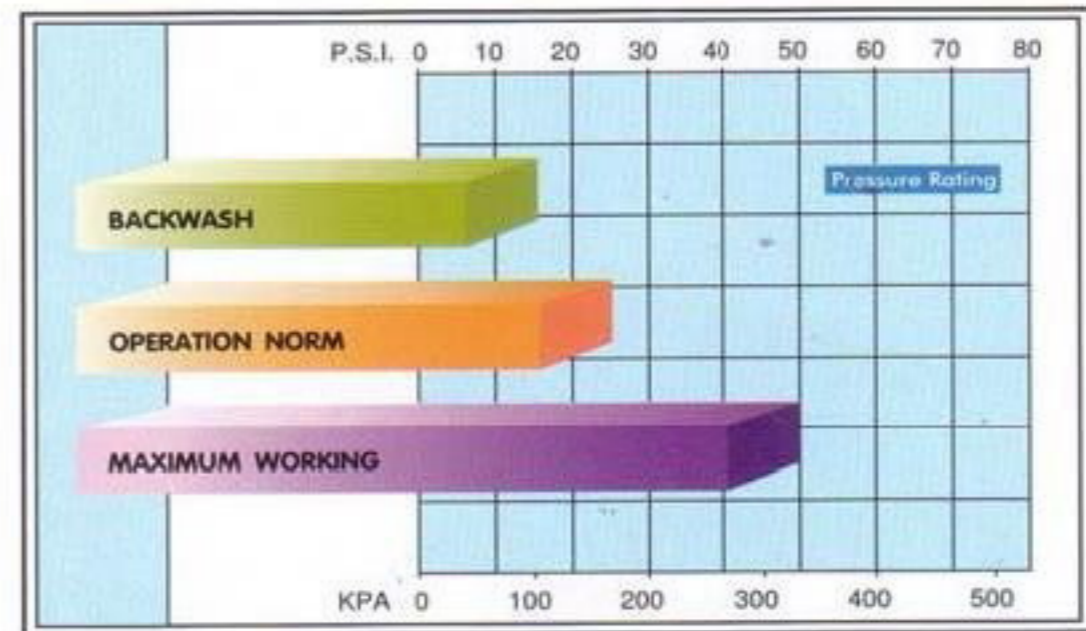
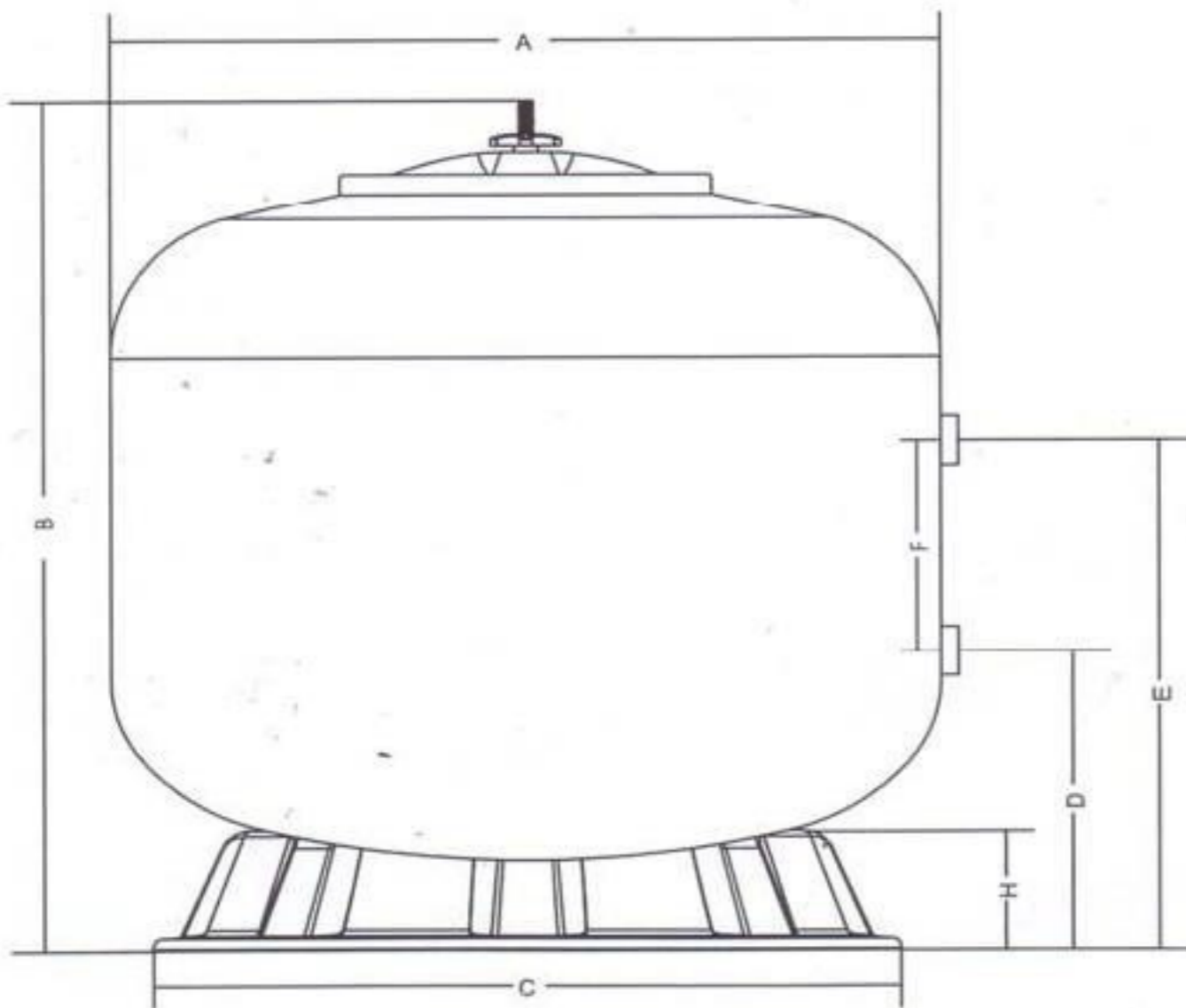


Emaux Commercial Sand Filters satisfy the requirements of the most demanding installations, including pools installed with in - floor cleaning systems, spas, fountains, public swimming pool, aquarium and industrial water treatment.

FEATURES

- Materials used are non - corrosive
- UV - resistance surface allows the filter to work under direct sunlight
- Automatic Air Relief System enables easy release of trapped air during operation of the filter

Maximum Working Pressure:	250 kPa (36psi)
Factory Testing Pressure:	400 kPa (58psi)
Maximum Water Temperature:	43 °C (109 °F)
Maximum Filtration Velocity:	50 m ³ /h /m ²



TECHNICAL CHARACTERISTICS

Code	Model No	A mm	B mm	C mm	D mm	E mm	F mm	G mm	Filter Area (m ²)	Valve Connections	Max Flow Rate	0.5-0.8mm Sand	1-2mm Gravel	
88011413	L1200	1190	1390	995	600	950	350	170	1.11	3inch 75mm	920lpm	55.20m ³ /h	900	300
88011414	L1400	1400	1470	1365	550	1000	450	185	1.54	4inch 110mm	1280lpm	76.80m ³ /h	1350	450
88011415	L1600	1620	1695	1365	630	1080	450	200	2.06	4inch 110mm	1700lpm	102.00m ³ /h	2300	700
88011416	L1800	1790	1890	1630	670	1220	550	220	2.52	6inch 160mm	2080lpm	124.80m ³ /h	2900	900
88011417	L2000	1945	2050	1630	720	1270	550	220	2.97	6inch 160mm	2450lpm	147.00m ³ /h	4000	1100
88011418	L2300	2375	2440	1800	950	1500	550	230	4.43	8inch 200mm	3650lpm	219.00m ³ /h	6000	1600
88011419	L2500	2495	2580	1800	1050	1600	550	230	4.89	8inch 200mm	4000lpm	240.00m ³ /h	6700	1800

Your Dealer: _____

* WE RESERVE THE RIGHT TO CHANGE ALL OR PART THE FEATURES OF THE ARTICALS OR CONTENTS OF THIS DOCUMENT WITHOUT PRIOR N