

## "SC" Series Economic Centrifugal Pumps



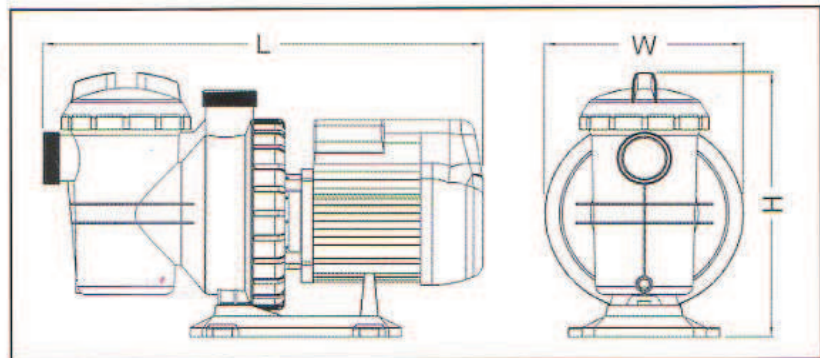
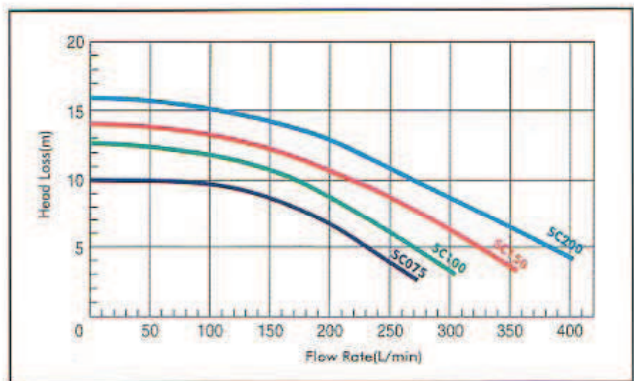
All components of EMAUX "SC" Economic Centrifugal Pumps are designed for maximum performance and economy in a swimming filtration system. "SC" Pumps are easy to install & maintain and deliver a dependable medium head performance. Besides they are extremely quiet in operation.



"SC" Series Economic Centrifugal Pump

### Standard features include:

- \* Corrosion protected shell to prevent water directly contacting with motor.
- \* Exclusive double ring-lock design give "tool free" access to pumps internals.
- \* Extremely quiet operation.
- \* Low energy consumption.
- \* Easily assemble pump basket.
- \* Design for easy maintenance and repairs.
- \* Low cost of spare parts.
- \* Through test repeatedly, guarantee real output power.
- \* IP55 Waterproof Standard.
- \* CE Europe Standard.
- \* Five-Year Limited Pump Housing Warranty.



### TECHNICAL CHARACTERISTICS

Model No.	Power (kW)	HP	Length (mm)	Width (mm)	Height (mm)	WeightPort (kg)	Size (inch/mm)	Voltage (v)	Phase
SC075	0.56	0.75	533	240	335	12.1	1.5/40	220/380	1 / 3 Phase
SC100	0.75	1	533	240	335	13.4	1.5/40	220/380	1 / 3 Phase
SC150	1.10	1.5	533	240	335	14.9	1.5/40	220/380	1 / 3 Phase
SC200	1.50	2	533	240	335	15.4	1.5/40	220/380	1 / 3 Phase